

AEI INNOVATION

APPALACHIAN ELECTRONIC INSTRUMENTS

P.O. Box 518 - Ronceverte, WV 24970-0158 - USA
304.647.5855 Ph - 304.645.4006 Fx - info@aei-wv.com - aei-wv.com



FOR LIBA/MAYER RASCHEL TRICOT
WEFT-INSERTION MACHINERY

CEPA-2000

The CEPA 2000 Warp Knitting machine controller provides real time runner display and control plus full complement of rack, roll, order, and production counters. Advance features allow CEPA to calculate and display runner length real time on up to 4 warp positions providing an excellent means to check current series OEM electronic let-off systems. Should the runner be out of tolerance CEPA will alarm or stop the machine. For earlier series gear box let-off systems CEPA adjusts the gear boxes via servo motor connection to maintain runners within tight tolerances. These features allow Knitters to be more productive and realize greater operating efficiency and improved day to day fabric quality, especially with elastomeric fabrics. With Industry standard RS-485 serial networking interface the CEPA can be networked for data gathering capability using off the shelf tools.

FEATURES & CAPABILITIES

- Automates runner measurement & runner control
- Menu driven keyboard programming
- Calculates and displays runner 1-4 positions
- Update runner value every 15-30 seconds
- Programmable runner tolerance with (3) outputs: servo loop, alarm, shut-down
- Maintains precise fabric specs.
- Speeds style changes
- Includes full complement of shift & production rack counters
- Rack counters
- Programmable Shift, Order, Roll, Totalizing counters
- Host PC communication
- Serves as excellent foundation for data gathering system

APPALACHIAN ELECTRONIC INSTRUMENTS

CEPA-2000

GET MORE FROM YOUR MACHINERY

SPECIFICATIONS



Electrical

- Input Voltage Range: 85-264 VAC
- Rated Frequency Range: 47-440 Hz
- Rated Current: 2 amperes maximum
- Power Consumption: 20 watts

Mechanical

- Width: 9 inches, 23 cm
- Depth: 6 inches, 16 cm
- Height: 15 inches, 38 cm
- Total System Weight: 25 pounds, 11.5 kg.

Runner Length Measuring System

- Follower Arm: magnetic sensors using precision magnets and wheels
- Accuracy: + .010 inches, .25mm
- Main Shaft: either single pulse magnetic wheel and sensor or proximity switch.
- Beam Revolution Counter: (Optional) Proximity Switch

Runner Control System

- Precision Stepper Type Motor Connected via standard DB-9 Cable.
- Accuracy: +.125 inches, 3 mm

Counting System

Racks

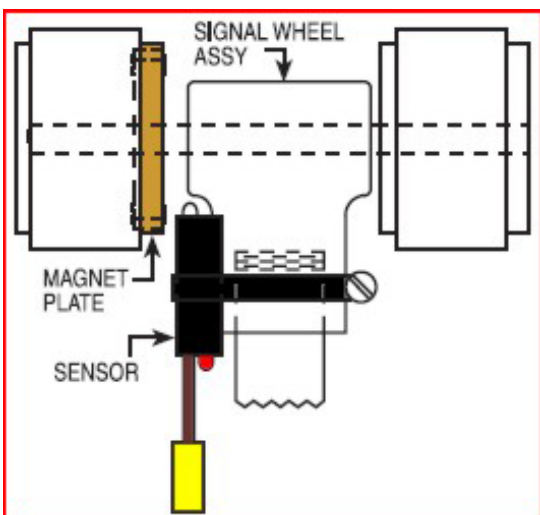
Active Counters:

- Roll Count 99,999 racks max.
- Order Count 99,999 racks max.
- Maximum Roll 999,999 racks max.
- Maintenance Count 99,999,999 racks max.

Operator Interface

- All Functions of the CEPA 2000 are controlled by front panel, membrane type keypad.
- Information is displayed via a 24 X 2 LCD Display.

~ Specifications subject to change without notice ~



EACH SIGNAL WHEEL ASSY IS FITTED WITH A MAGNET PLATE & SENSOR

APPALACHIAN ELECTRONIC INSTRUMENTS, INC. OFFERS A DIVERSE RANGE OF INNOVATIVE, COST EFFECTIVE OPTICAL, ELECTRONIC, MECHANICAL AND CHEMICAL SOLUTIONS FOR MEASUREMENT, CONTROL AND AUTOMATION.

AEI IS COMMITTED TO PRODUCING ITS PRODUCTS AND CONDUCTING ALL ITS BUSINESS IN A MANNER CONSISTENT WITH THE COMPANY'S CORE VALUES. AT AEI, WE BELIEVE THAT OUR MOST VALUABLE ASSETS ARE THE RELATIONSHIPS WE HOLD WITH CUSTOMERS, EMPLOYEES AND PARTNER SUPPLIERS. WE FURTHER BELIEVE THAT TRUE SUCCESS IS ACHIEVED WHEN THE POWER OF THESE VITAL RELATIONSHIPS IS FOCUSED ON A COMMON GOAL.

AEI'S COMMITMENT TO QUALITY AND LONG-TERM VALUE IS THE NATURAL OUTCOME OF OUR DEVOTION TO THESE PRINCIPLES. HIGH QUALITY SYSTEMS LIKE THE YTC-2000 ARE THE PROUD PRODUCTS OF THIS DEDICATED, PROFESSIONAL CULTURE.

For more information about the CEPA-2000 or any other AEI solution contact us today. We will quickly put you in touch with the AEI representative for your region and industry.